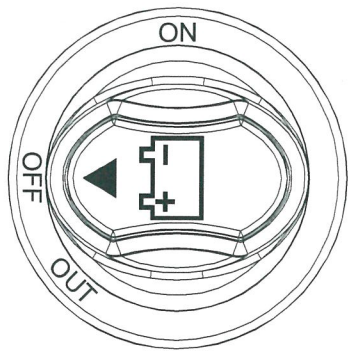


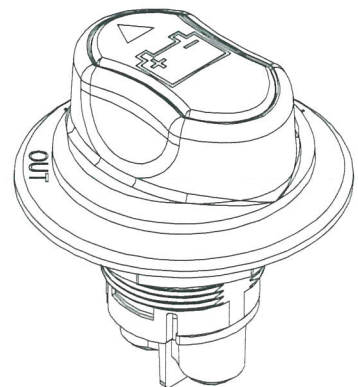
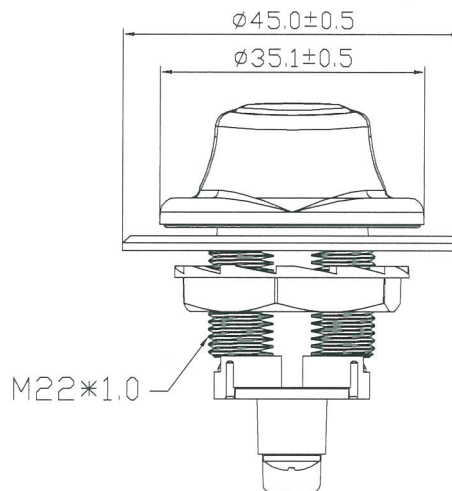
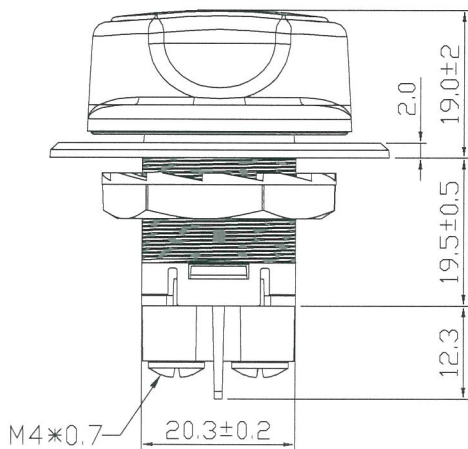
Continuous Rating	50Amps 50VDC Max.		Circuit Diagram	
Intermittent Rating	75 Amps		OFF	ON
Cranking Rating	300 Amps 5 sec.			
Contact Resistance	50m ohm Max			
Insulation Resistance	DC 500V 100M ohm Min			
Dielectric Strength	AC 1000V 1 minute, DC 2000V 1 minute			
Operation Temperature	-30°C~+60°C			
Switch Function	2P SPST OFF-ON			



***MATERIAL:**

- Housing: Black, PA#66+33%GF
- Actuator: Red, PBT+15%GF with white hot stamping
- Name Plate: White, ABS with black hot stamping
- Bottom: Black, PBT+15%GF
- Nut: Black, POM
- Screw: Ni-plated, Brass

1 HEX NUT ASSY



tolerances Unless otherwise specified ±0.3

C3\WORK14\A23-6B

								△
								△
Date	Name	Descriptions						NO
Drawn	Checked	Approved	SCI BOM No.	1340042	Model Name	Battery SWITCH		
B.S.Wang		<i>[Signature]</i>	Customer No.		Model No.	A23-6B		REV.
2/25/16		<i>[Signature]</i>	Unit	mm				0